

GSL 300



Beside the press granulator

- Specially designed rotor knives simplify maintenance and reduce downtime
- Tool-less access to the machine for maintenance and cleaning
- Low noise emission due to slow speed and sound dampening hopper
- Modular design allows for customisation



Unique knife design simplifies maintenance

The rotor is equipped with specially designed knives. The curvature of the knives ensures a constant cutting gap even after sharpening without the need to re-adjust the rotor knives.



Sturdy rotor

The rotor shaft is supported on both ends by heavy duty bearings. Due to the modular design of the rotor the shaft is sized for the widest machine ensuring performance and longevity across the whole range.



Quick-Snap system

The proven ZERMA quick-snap system allows a quick and easy opening of the machine and removal of the front plate to gain access to the screen. This allows simple cleaning when changing colour or material.

General Description

The slow speed granulators in the 300 series feature a 300 mm diameter rotor with widths ranging from 400 mm - 800 mm. The rotor is directly driven by a geared motor. This ensures smooth operation even when processing challenging materials. The low rotor speed generates less noise and a high quality, low dust regrind. The specifically designed rotor knives can be sharpened multiple times and can be installed in the machine without readjustment of the cutting system.

The Quick-Snap system and large knobs allow fast and easy access to the cutting chamber without the need for tools.

The material is introduced into the machine via a sound dampening hopper. The machines can be customised depending on the application with different hoppers and discharge options.

Applications

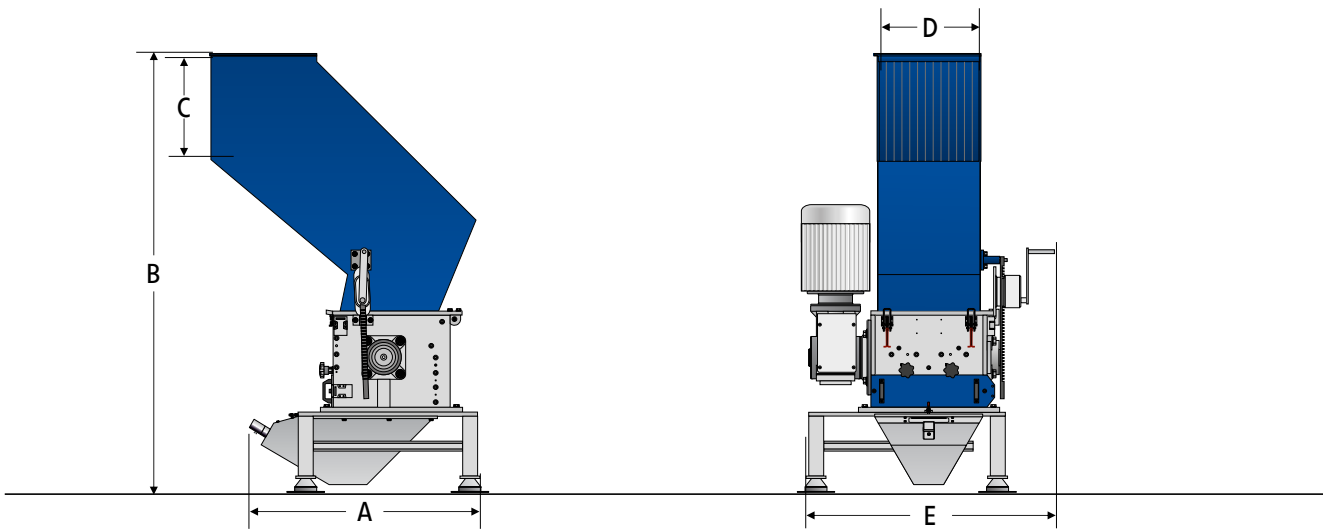
The slow speed GSL300 series are well suited for the processing of production scrap as well as voluminous parts. They can also be used as central granulator for low volume production or in laboratory environments.

The sturdy construction and high torque of the GSL300 series allows processing of heavier, thick walled and other challenging materials.



ZERMA

The Home of Size Reduction



Technical Specifications

Type	300/400	300/600	300/800
Rotor diameter (mm)	300	300	300
Rotor width (mm)	400	600	800
Rotor speed (rpm)	150	150	150
Drive capacity (kW)	7.5	11	18.5
Rotor knives (pcs)	33	48	66
Stator blades (rows)	2	2	2
Screen size (mm)	> 6	> 6	> 6
Weight approx. (kg)	550	950	1100

Dimensions

Type	300/400	300/600	300/800
A (mm)	920	920	920
B (mm)	1790	1790	1790
C (mm)	400	400	400
D (mm)	410	610	850
E (mm)	1040	1250	1640

ZERMA Machinery (Thailand) Co., Ltd.

450 Sukhumvit Road, Tambon Huaypong, Amphur Muang Rayong,
Rayong 21150, Thailand

Phone: +66 3301 3589 0183 · info@zerma.co.th